

MANUFACTURER  
FOR  
THE FILTER INDUSTRY  
SINCE 1978

## 8600 SERIES

10,000 & 20,000 PSI Operating



*Also, ask for the 3B Interchange Guide with over 100,000 interchange elements available.*



4642 West 92nd Street  
Oak Lawn, IL 60453  
Phone (708) 636-6240  
Toll Free 866-3BFILTERS (323-4583)  
Fax (708) 636-6251  
sales@3bfilters.com

**10 - GPM Size / 233 Element**

**Specifications**

**10,000-PSI Filter**

**20,000-PSI Filter**

Operating 10,000  
Proof 15,000  
Burst 40,000

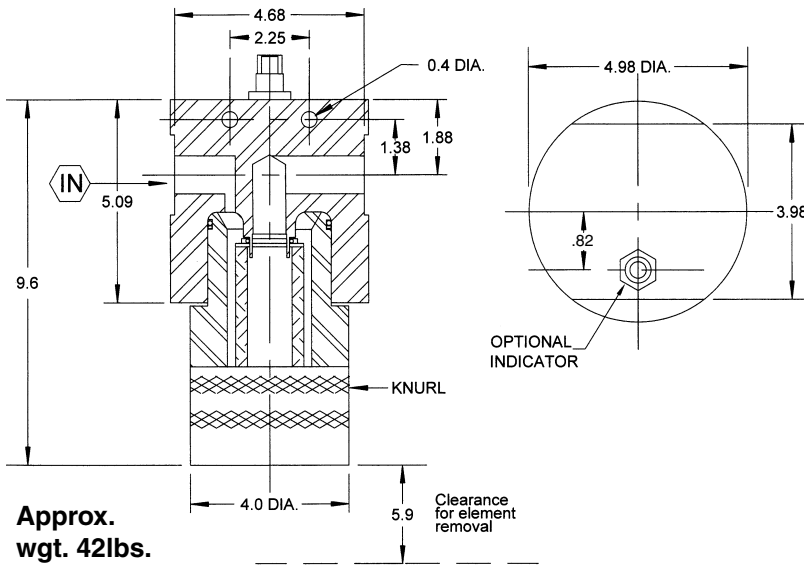
20,000 Operating  
30,000 Proof  
100,000 Burst\*\*

Housing Material  
303 Stainless  
316 Stainless

Housing material  
17-4 PH

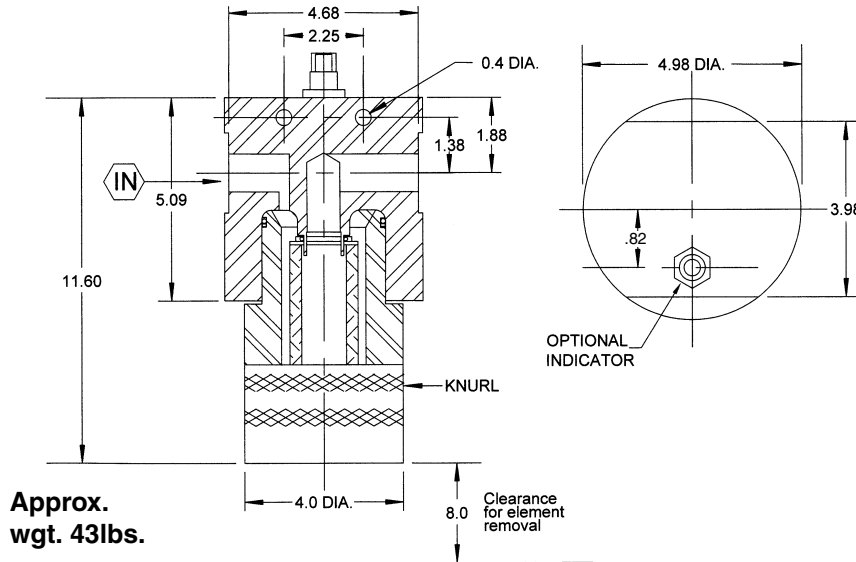
Weight  
up to 44 Lbs.

\*\*Indicators and Bypass  
Have Been Tested to  
60,000 psi Without  
Leakage



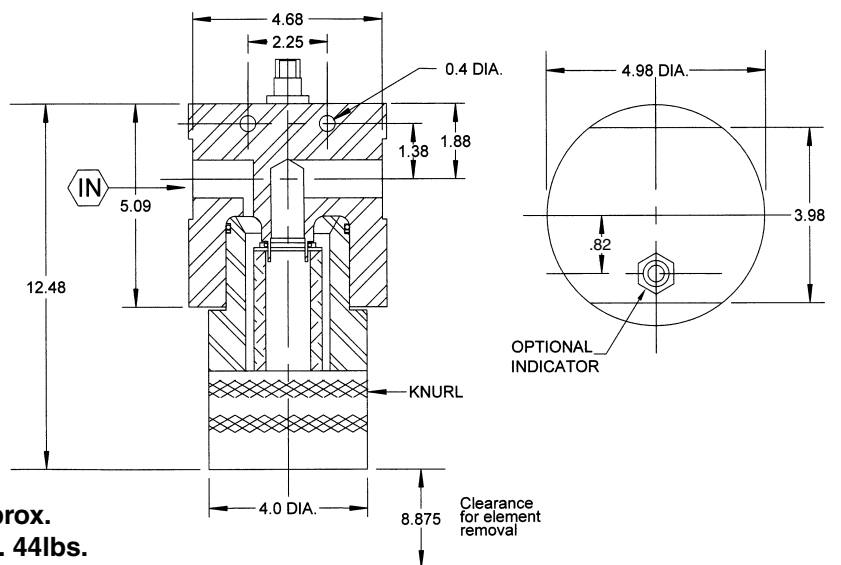
Approx.  
wgt. 42lbs.

**16 - GPM Size / 234 Element**



Approx.  
wgt. 43lbs.

**24 - GPM Size / 284 Element**



Approx.  
wgt. 44lbs.

# HOW TO ORDER

## EXAMPLE FILTER ASSEMBLY

S	86	1	2	-	N	10W	C	-	ACCESSORIES
A		B	C	D	E	F	G	H	I

## EXAMPLE REPLACEMENT ELEMENT

2	3	3	-	25M	D	V
T				T	T	
B				E	F	D

(ELEMENT SIZE ON CHART)

### A

HOUSING MATERIAL		
S	303 SS	10,000-PSI
G	316 SS	10,000-PSI
P	17-4 PH	20,000-PSI

### B

B	FLOW
1	10 GPM (233) Element
2	16 GPM (234) Element
3	24 GPM (284) Element

### C

Port Code	Size Port Size
1	1/4 M/P
2	3/8 M/P
3	9/16 M/P
4	3/4 M/P
5	1/4 NPT*
6	1/2 NPT*
7	3/4 NPT*
8	1" NPT*

### D

O-RING SPECIFICATIONS		
CODE	MATERIAL	TEMPERATURES
N**	Nitrile(Buna)	-40° to 250°F
V**	Viton®	-20° to 400°F
E	Ethylene Propylene	-60° to 300°F
K	Kalrez®	-320° to 450°F
S	Teflon Encapsulated Viton Core	-4° to 400°F

\*\*for 90- durometer add 9 to code (example: V9)  
©DuPont

### E

Micron Code	Rating Nom.	Abs.	Micro Glass	SST Wire Mesh	Sintered Metal
1M		1	X		
3M		3	X		
6M		6	X		
12M		12	X		
25M		25	X		
10W	2	10		X	
18W	5	18		X	
25W	10	25		X	
40W	20	40		X	
75W	40	75		X	
100W	75	100		X	
150W	100	150		X	
1PM	0.05	0.2			X
2PM	0.2	0.7			X
3PM	0.3	2			X
4PM	0.8	5			X

\*10,000-PSI MAX.

### F

COLLAPSE RATING	
CODE	DESCRIPTION
C	Microglass 300-PSI
D	Microglass 3,250-PSI
E	304 Wire Mesh 4,5000-PSI
F	316 Sintered 2,000-PSI

### G

ACCESSORIES	
V	Visual Indicator -40 PSID**
E	Electrical Indicator -40 PSID**
D1	1/8 NPT Δ P Port *
D2	1/4 NPT Δ P Port *
DMP	1/4 M/P Δ P Port

### H

B *	BYPASS**
* Insert Pressure Setting Default is 50 PSDI	

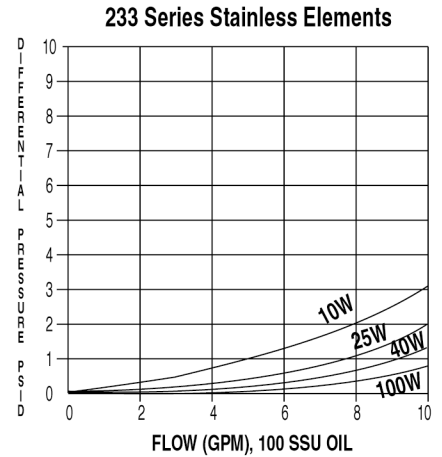
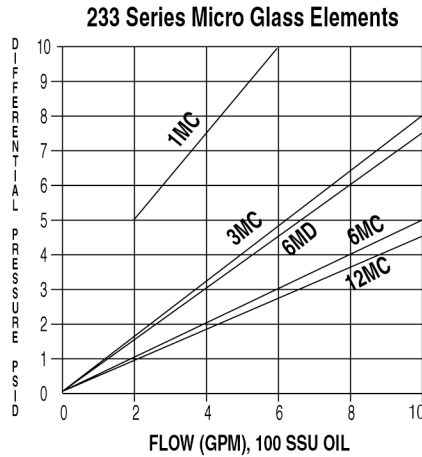
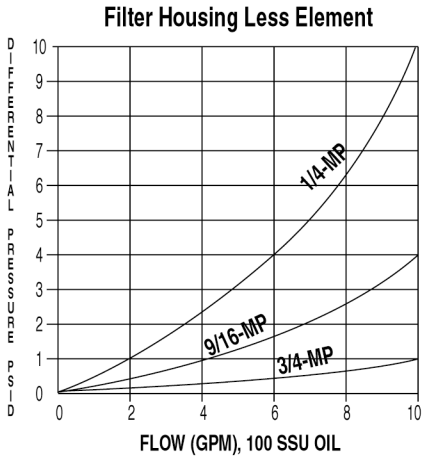
\*\* Tested without leakage to 60,000 psi

### I

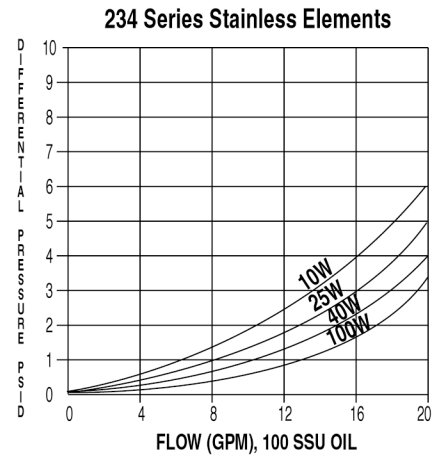
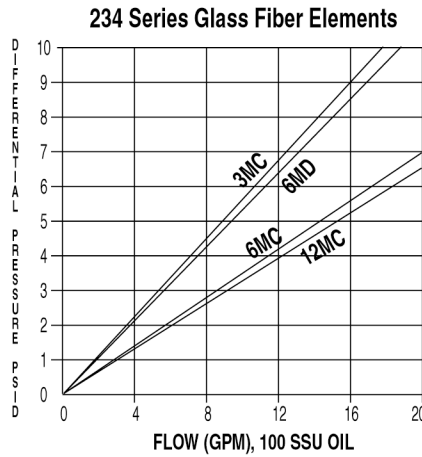
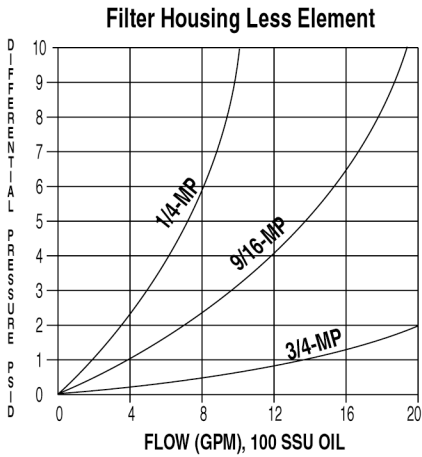
BOWL DRAIN		
CODE	DESCRIPTION	AVAILABILITY
B1	1/8-NPT	S & G
B2	1/4-NPT	S & G
B4	1/4-SAE	S & G
BMP	1/4-MP	P

**FLOW DATA (PRESSURE DROP vs. FLOW)**

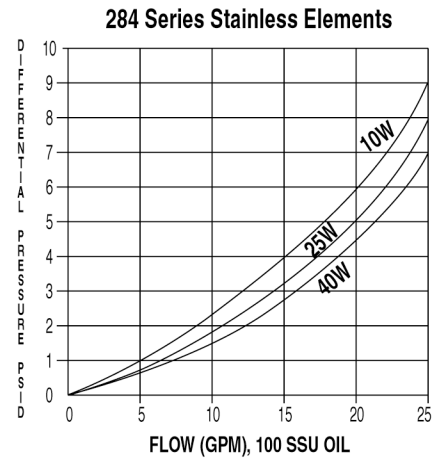
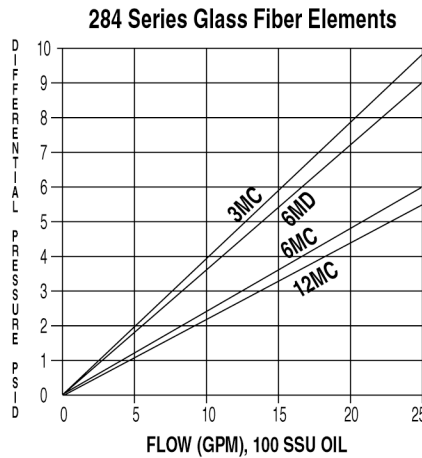
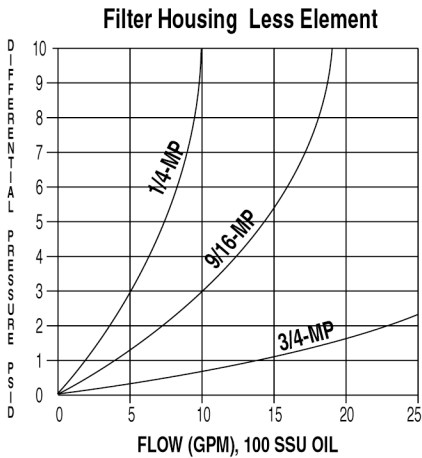
**Flow Data - 10-GPM SIZE**



**Flow Data - 16-GPM SIZE**



**Flow Data - 24-GPM SIZE**



**NOTE:** Add pressure drop of the housing to that of the element to obtain total initial clean pressure drop of the assembly.

To determine pressure drop for a different viscosity and density fluid, use the following conversion factor:

$$\text{New } \Delta P = \Delta P @ 100 \text{ SSU} \times \frac{\text{new viscosity, SSU}}{100 \text{ SSU}} \times \frac{\text{new spec. gravity}}{0.9}$$